



GEOSYSTEM® V60 - V120 Vertical

FIRE RATED INSPECTION HATCHES



EI 60 : thickness 75 mm
EI 120 : thickness 90 mm



Fire protection
1 hr (EI60) and 2 hrs (EI120)

FIRE RATED INSPECTION HATCH

The GEOSYSTEM® V60 and V120 hatches consist of a frame made of fire resistant plasterboard and two successive leaves.

The first leaf, which serves as an aesthetic cover, can be opened and closed by simply pressing on the door, while the second leaf, which is removable, is equipped with two steel bolts for its removal

Advantages

- ✓ Easy to install
- ✓ Product approved for installation in GEOFLAM® and GEOTEC® enclosures
- ✓ Tested for 1 hour (EI60) and 2 hours (EI120) fire resistance

Installations



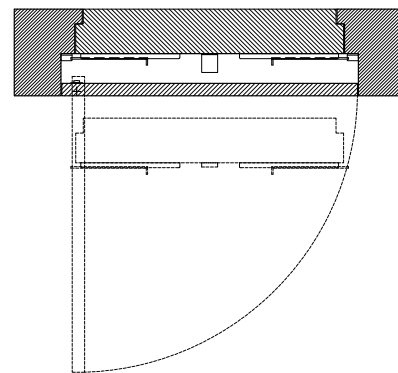
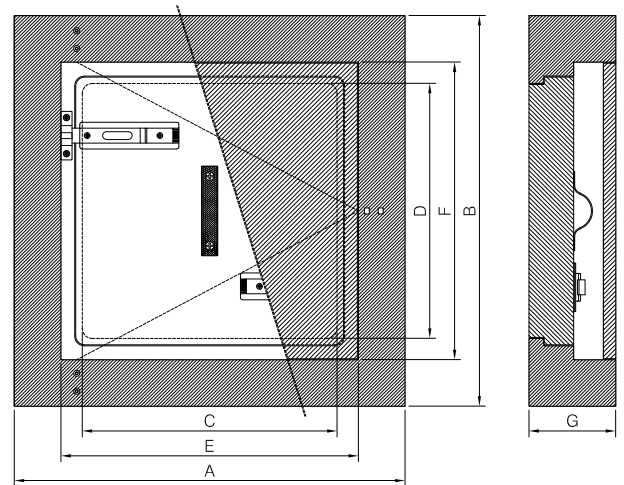
Glue + fiber reinforced gypsum



Glue GEOCOL® + screw

Applications

- GEOTEC® or GEOFLAM® fire protection services
- Solid walls
- Partitions or counter partitions
- Plasterboard walls



A = Frame outside width
B = Frame outside height
C = Clearance dimension width
D = Clearance dimension height
E = Nominal size, door opening width
F = Nominal size, flap opening height
G = Frame depth



Dimensions

EI (min)	Door dimensions (E x F)	Open passage (mm) (C x D)	Overall dimensions (mm) (A x B)	Total thickness (mm) (G)
60	200 x 200	157 x 157	294 x 294	72,5
	300 x 300	257 x 257	394 x 394	
	400 x 400	357 x 357	494 x 494	
	500 x 500	457 x 457	594 x 594	
	600 x 600	557 x 557	694 x 694	
120	200 x 200	157 x 157	294 x 294	87,5
	300 x 300	257 x 257	394 x 394	
	400 x 400	357 x 357	494 x 494	
	500 x 500	457 x 457	594 x 594	
	600 x 600	557 x 557	694 x 694	

E = Flame and hot gas tightness
I = Thermal insulation

The data contained in this table are average values, given as an indication only. If certain properties are essential for a particular application, it is best to consult us.

Transport and storage

Transport and store on a flat, protected surface (out of water).

Classification and tests

- ✓ The hatches are certified according to the fire resistance test standards:
EN 1634-1
- ✓ Any direction of fire
- ✓ PV n° EFR-19-002200

Technical documents available

- Technical data sheet

Items codes

Reference	Name	Packaging	Gross weight / pallet
EI 60 : thickness 75 mm			
TCF0110	Inspection hatch 200 x 200 mm	Unit	4,8 kg
TCF0111	Inspection hatch 300 x 300 mm	Unit	8,1 kg
TCF0112	Inspection hatch 400 x 400 mm	Unit	12,3 kg
TCF0113	Inspection hatch 500 x 500 mm	Unit	17,2 kg
TCF0114	Inspection hatch 600 x 600 mm	Unit	23 kg
EI 120 : thickness 90 mm			
TCF0101	Inspection hatch 200 x 200 mm	Unit	6,1 kg
TCF0102	Inspection hatch 300 x 300 mm	Unit	10,3 kg
TCF0103	Inspection hatch 400 x 400 mm	Unit	15,7 kg
TCF0104	Inspection hatch 500 x 500 mm	Unit	22,2 kg
TCF0105	Inspection hatch 600 x 600 mm	Unit	29,7 kg

Geostaff has collected the data in this sheet with all due care and reserves the right to modify the properties of the products without prior notice. The user of these data shall at all times be responsible for their correct application. In case of uncertainty or doubt, it is advisable to contact Geostaff in order to check whether these data correspond to the required application.

Vertical inspection hatch

FIRE RATED INSPECTION HATCH



www.geostaff.fr/en